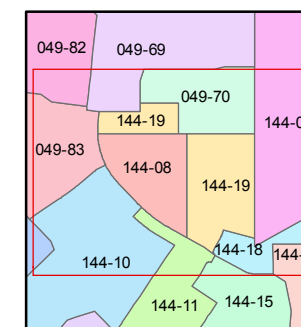
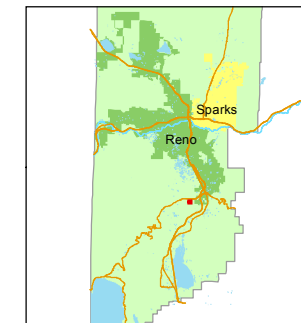




1 inch = 100 feet



created by: JKF 03/13/2017

last updated: _____

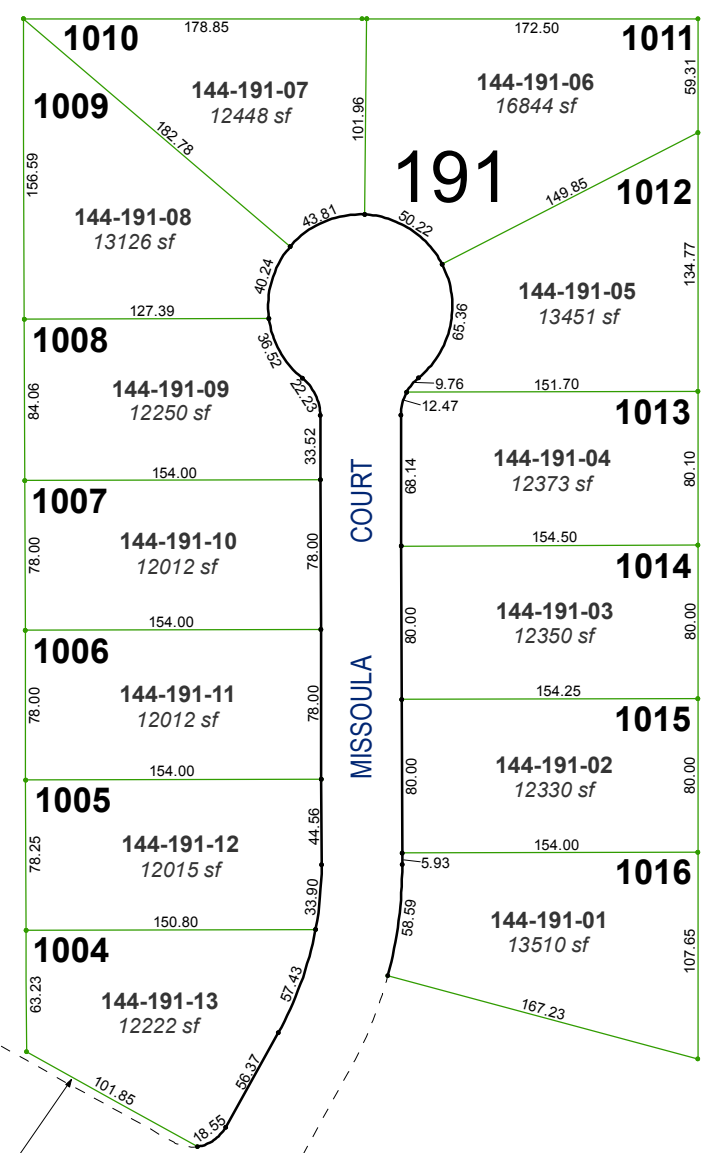
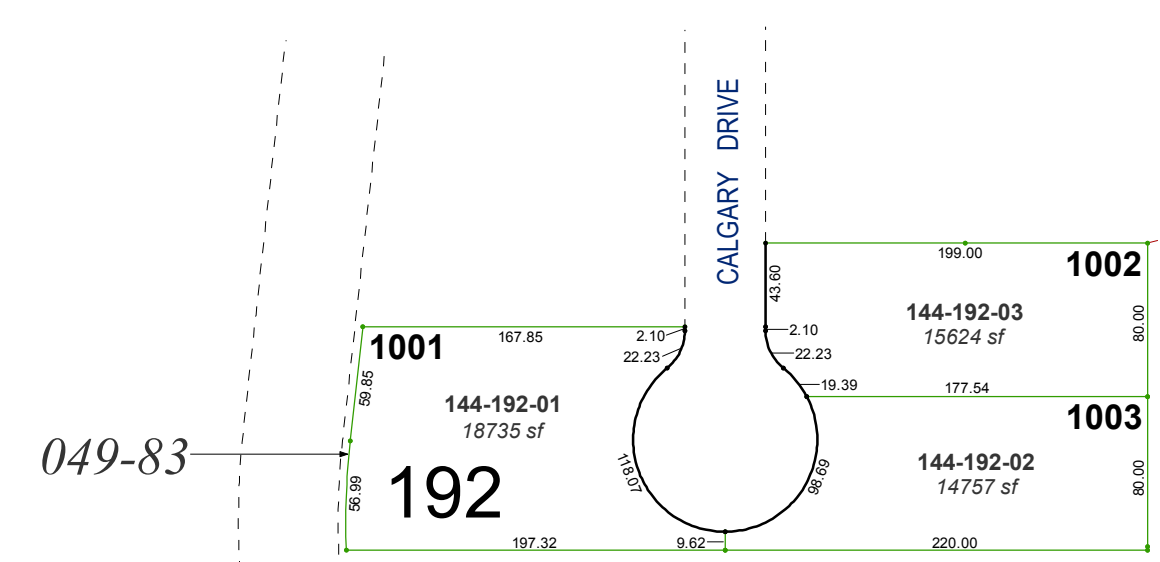
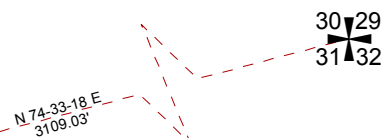
area previously shown on map(s)

144-01 & 08

NOTE: This map was prepared for the use of the Washoe County Assessor for assessment and illustrative purposes only. It does not represent a survey of the premises. No liability is assumed as to the sufficiency or accuracy of the data delineated hereon.

(#3712)
GALENA TERRACE - UNIT 10

PORTION OF SECTION 31
 T18N - R20E



BELLINGHAM DRIVE

EDMONTON

CORVALLIS DRIVE

DRIVE

144-11

TWIN FALLS DRIVE