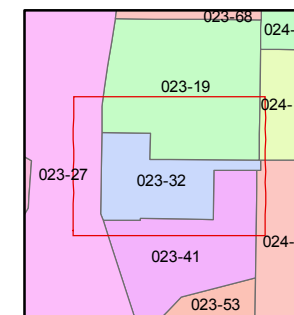
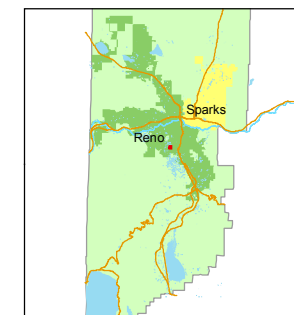


1 inch = 50 feet



created by: TWT 5/22/2015

last updated: _____

area previously shown on map(s)

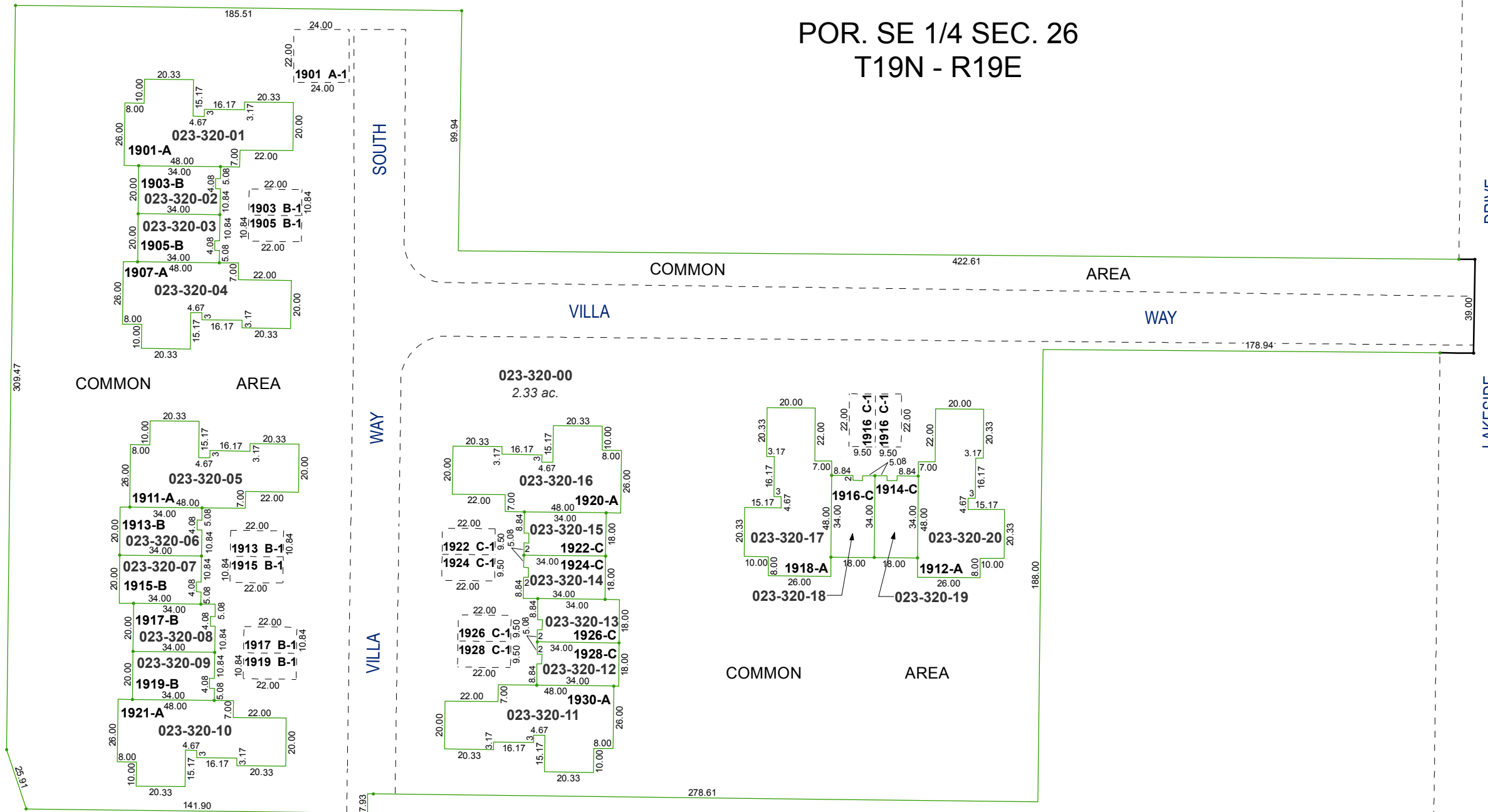
NOTE: This map was prepared for the use of the Washoe County Assessor for assessment and illustrative purposes only. It does not represent a survey of the premises. No liability is assumed as to the sufficiency or accuracy of the data delineated herein.

(#1263) VILLAS AT LAKE RIDGE UNIT ONE

A CONDOMINIUM

1/20th INTEREST EACH
IN COMMON AREA

POR. SE 1/4 SEC. 26 T19N - R19E



COMMON AREA