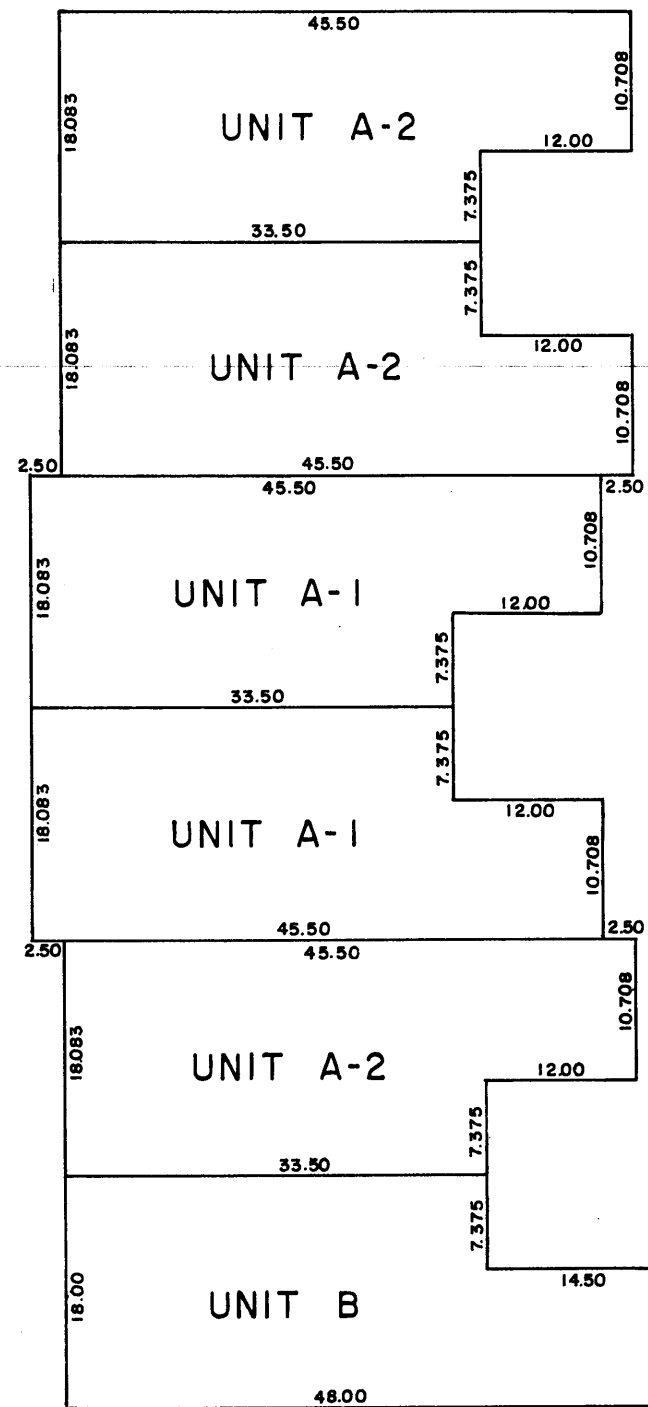


(#1689)
BAKER LANE APARTMENTS
A CONDOMINIUM

UNDIVIDED 1/38 INTEREST EACH
 IN THE COMMON AREA

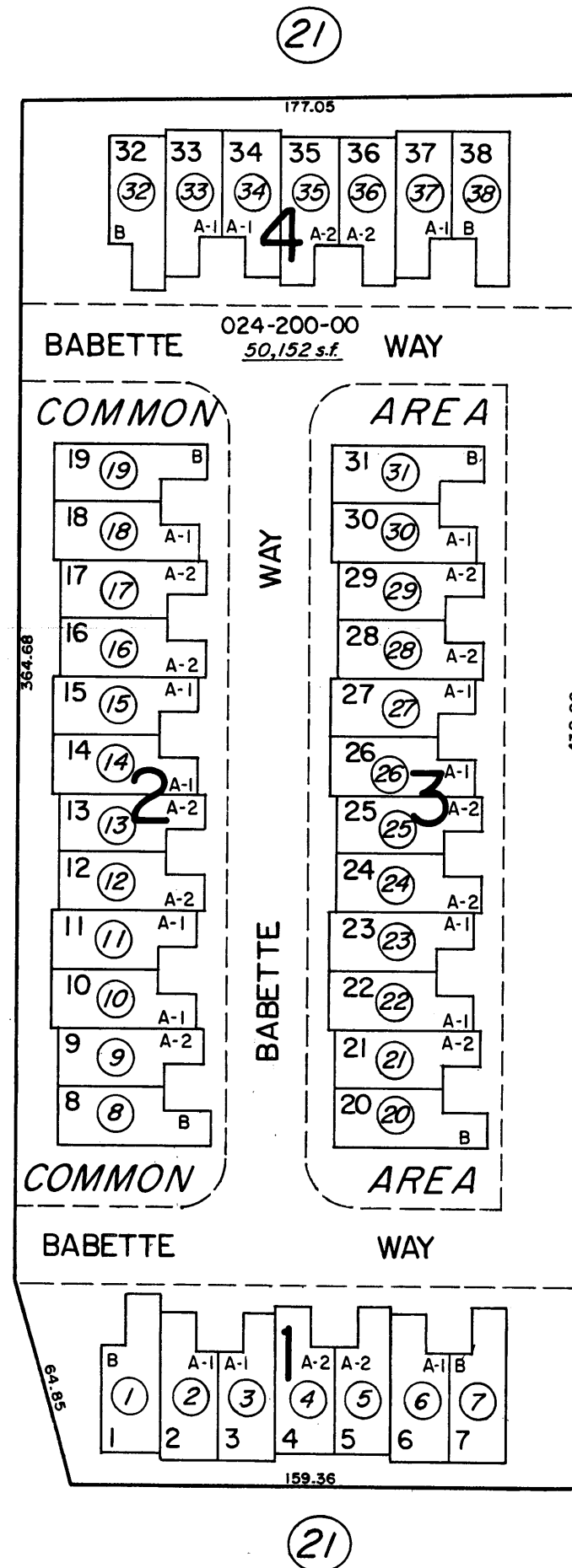


TYPICAL UNITS

SCALE: 1" = 15'

NOTE: This Map is prepared for the use of the Washoe County Assessor for Assessment and illustrative purposes only, it does not represent survey of the premises. No liability is assumed as to the sufficiency or accuracy of the data delineated hereon.

24-20



LANE

BAKER

1" = 50'

Assessor's Map County of Washoe, Nevada

NOTE - ASSESSOR'S BLOCK NUMBERS SHOWN IN ELLIPSES
 ASSESSOR'S PARCEL NUMBERS SHOWN IN CIRCLES

drawn by	M.CRAIG	1/78
checked		
revised	6/94 TWT	4/25/08
superseded		